

T: 0121 444 3690

E: [info@evaccess.uk](mailto:info@evaccess.uk)

[www.evaccess.uk](http://www.evaccess.uk)

## STAIRMATE SA-3 Powered EVAC Chair and Stair Climber



### Powered EVAC chair and stairclimber

The Stairmate SA-3 is an easy to use stairclimber designed to attach to most manual wheelchairs. The Stairmate's SA-3 powerful motor allows a small attendant to safely transport a larger passenger up and down stairways. Stairclimber is suitable for indoor or outdoor use in public buildings and private homes. An affordable and reliable portable access solution.

### Applications

To assist people in manual wheelchairs to go up and downstairs without the need to transfer. In an evacuation you will still have your wheelchair to move onward if unable to go back into a building! Eliminates the need for manual handling of a person by untrained staff.

- Magnetic holder for safety belt
- The safest Stairclimber in its class
- Failsafe braking system
- Laser light wayfinding system
- Non-marking treads
- Key control
- Battery life gauge

### Why buy the Stairmate SA-3?

- Simple to use and therefore quick to train others on the safe use of the unit
- Flexible extensions allow for wider wheelchairs

### About us

Evaccess provide the most comprehensive range of evacuation chairs and stairclimbers to improve safety when getting people in and out of buildings. Important - people have different needs and therefore require different choices.

## Specifications

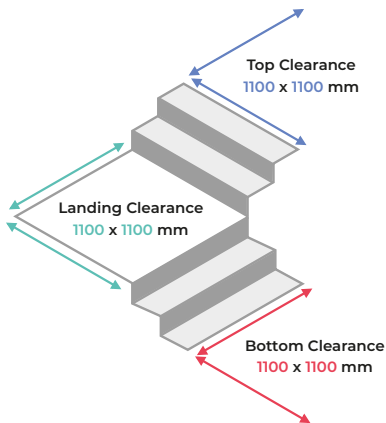
Capacity	160 kg
Weight	65 kg
Dimensions	91.8 x 69 x 148.6 cm
Speed	35
Warranty	5 years
Manufacturer	Sunwa

## Guide to stair clearances

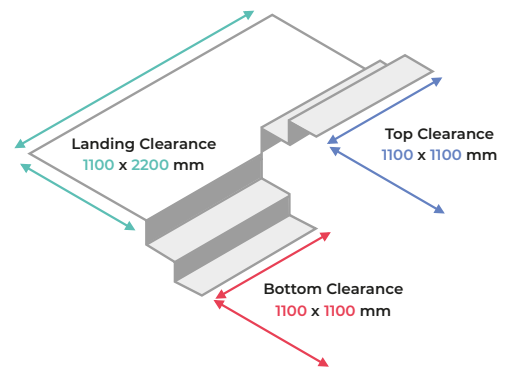
### Minimum: 1100 x 1100 mm

The diagram below shows the typical minimum clearances required on stairways. Actual requirements may vary depending on your stairway configuration.

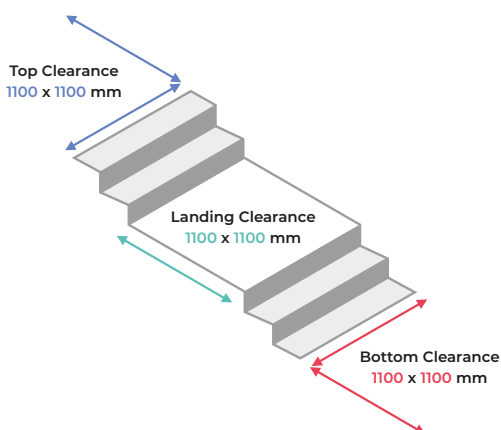
### L-shaped Landing



### U-shaped Landing



### Straight with Landing



### Straight Stairs

