

T: 0121 444 3690

E: info@evaccess.uk

www.evaccess.uk

SUPER TRAC TRE-52 Powered Stair Climber



For powered and manual wheelchairs taking up to 200kg (Up and downstairs)

A portable powered wheelchair evacuation platform and stairclimber. The Super Trac's unique design carries many types of wheelchairs including powered wheelchairs and manual wheelchairs from children's, adults and sports. It is easy to operate and to train people on its use.

Applications

- To assist people in powered and manual wheelchairs when no lift is available, or it is out of action
- If a lift is not financially viable or a listed building, then as it is free standing this is a fantastic option
- Can be easily transported to other buildings on a campus or where there are multiple buildings. The safe evacuation tool for wheelchair users
- Gives buildings accessibility for functions such as weddings

Why buy the SUPER TRAC TRE-52?

- Can carry Bariatric clients and their wheelchair up to 200kg/31 ½ stone
- The large platform will accommodate virtually any wheelchair including electric and sports chairs

- Operates on indoor and outdoor staircases
- Includes a rechargeable battery and charger
- Wide double tracks securely grip stairs
- Large wheels allow easy travel across landings between stair flights
- Integrated tie-down straps and seatbelt hold wheelchair securely on the platform at sides and back of the unit
- Adjustable headset
- Safety side rails on each side
- Simple, easy-to-use controls
- Robust commercial design
- Failsafe braking system.

About us

Evaccess provide the most comprehensive range of evacuation chairs and stairclimbers to improve safety when getting people in and out of buildings. Important - people have different needs and therefore require different choices.

Specifications

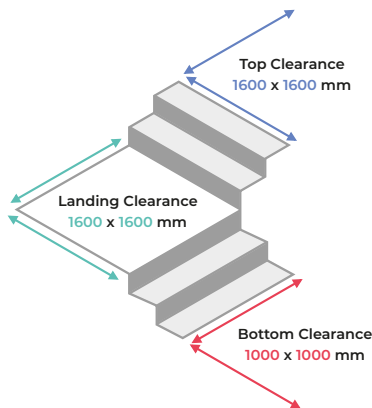
Capacity	200 kg
Weight	115 kg
Dimensions	129 x 75.7 x 125.8 cm
Stair Angle	35 degrees
Speed	6.4
Warranty	2 years
Manufacturer	Sunwa

Guide to stair clearances

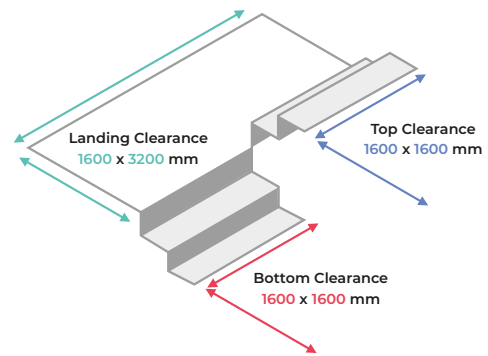
Minimum: 1600 x 1600 mm

The diagram below shows the typical minimum clearances required on stairways. Actual requirements may vary depending on your stairway configuration.

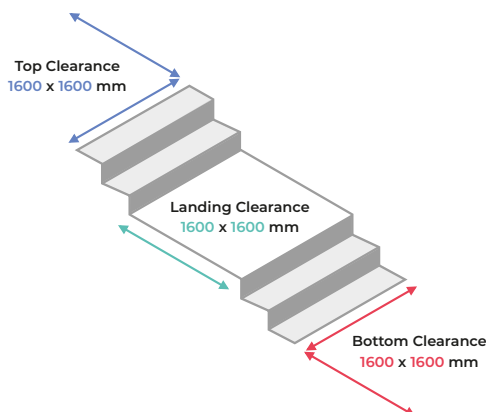
L-shaped Landing



U-shaped Landing



Straight with Landing



Straight Stairs

